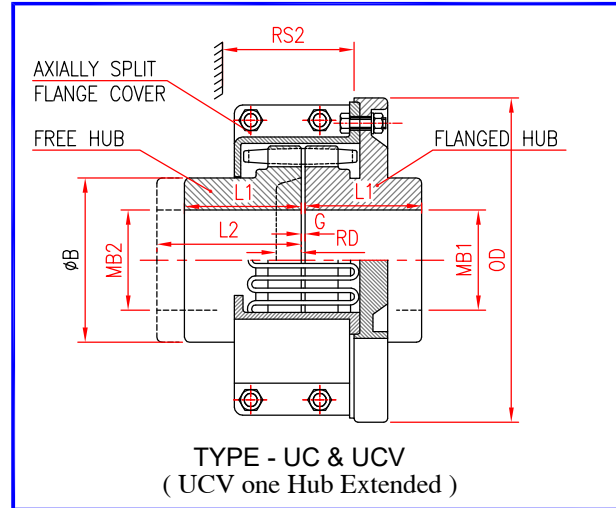
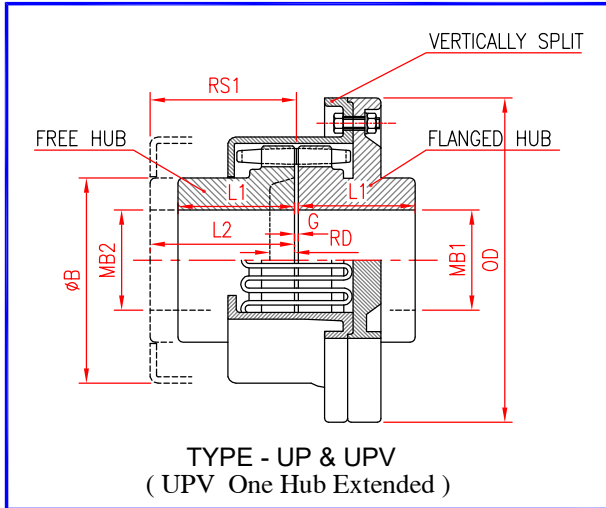


FLANGED COUPLINGS TYPES UP and UPV, UC and UCV



DIMENSIONS AND ENGINEERING DATA FOR FLANGE TYPE RESILIENT COUPLINGS.

Coupling Size	R a t i n g HP/100RPM	Max Torque Kg- M	Wt in Kg Up/Uc	Safe Speed RPM		Pilot Bore MM	Max Bore		D I M E N S I O N S							
				Up/Upv	Uc/Ucv		MM	MM	Max Rcess Dia	ØD flange dia	L1 UP/UC	L2 UPV/UCV	RS1	RS2	G	ØB
201	0.006	4.5	3.5	7000		10	29	25	25	25	38	70	80		0.8	41
202	0.010	7.5	4.0	6000		12	38	30	30	30	38	70	80		0.8	58
203	0.020	14.5	5.0	5500	3000	16	42	35	35	35	45	80	85	60	0.8	57
204	0.030	21.6	9.0	4500	2700	16	58	50	50	50	51	80	85	60	0.8	75
205	0.045	31.2	10.0	4000	2500	16	55	55	55	55	51	111	87	60	0.8	88
207	0.065	45.19	14	3750	2400	16	65	60	60	60	57	114	117	80	0.8	95
208	0.095	67.2	20	3600	2100	25	80	75	75	75	64	114	117	80	0.8	117
209	0.125	89.7	29	3500	1800	25	95	86	86	86	70	114	117	80	0.8	133
210	0.185	130.5	40	3300	1700	25	110	100	100	100	89	141	117	80	0.8	155
211	0.355	254.4	59	3200	1500	38	105	100	100	100	102	183	167	130	1.6	155
212	0.255	178.5	56	3000	1650	38	105	100	100	100	102	176	187	130	1.6	152
213	0.456	325.4	79	2750	1350	50	125	120	120	120	102	208	217	150	1.6	183
214	0.655	467.5	84	2500	1300	50	125	125	125	125	102	208	217	150	1.6	187
215	0.905	648.0	118	2250	1150	50	150	135	135	135	114	208	217	150	1.6	218
217	1.255	897.6	160	2000	1050	50	170	165	165	165	127	208	217	150	1.6	244
218	1.650	1198.62	180	1850	950	70	180	175	175	175	139	214	241	165	1.6	266
219	2.000	1435.2	200	1750	900	70	180	175	175	175	152	214	241	165	1.6	307
221	2.405	1722.3	215	1700	850	75	160	150	150	150	140	225	225	170	3.2	239
223	3.505	2510.4	275	1500	750	85	175	165	165	165	152	240	240	170	3.2	266

BOSON ENGINEERING

ENGINEERS & MANUFACTURES

CONTACT US:

OFFICE : 4/19 G.T. ROAD (SOUTH) HOWRAH- 711101
 MOBILE : 9830226942. PHONE : (033)2666 1263, FAX : (033)2666 2935,
 e-mail : sales@bosonengg.com, website : www.bosonengg.com